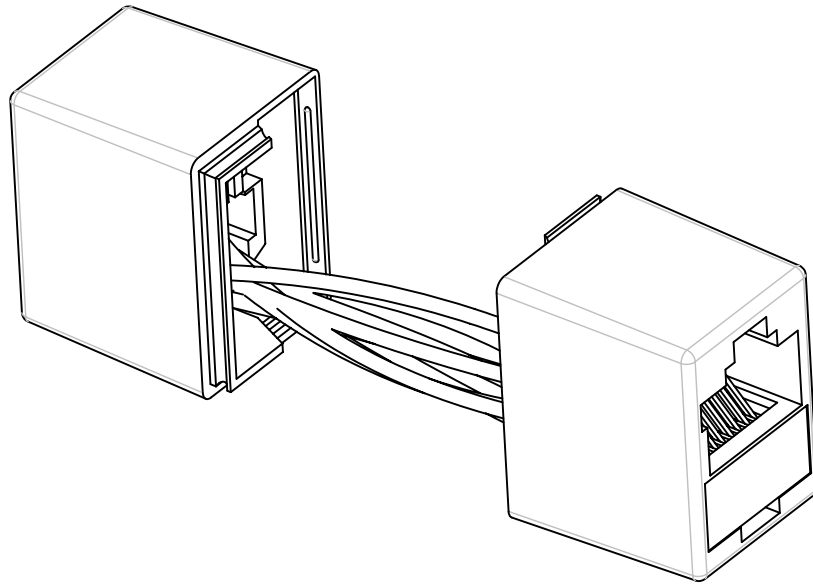
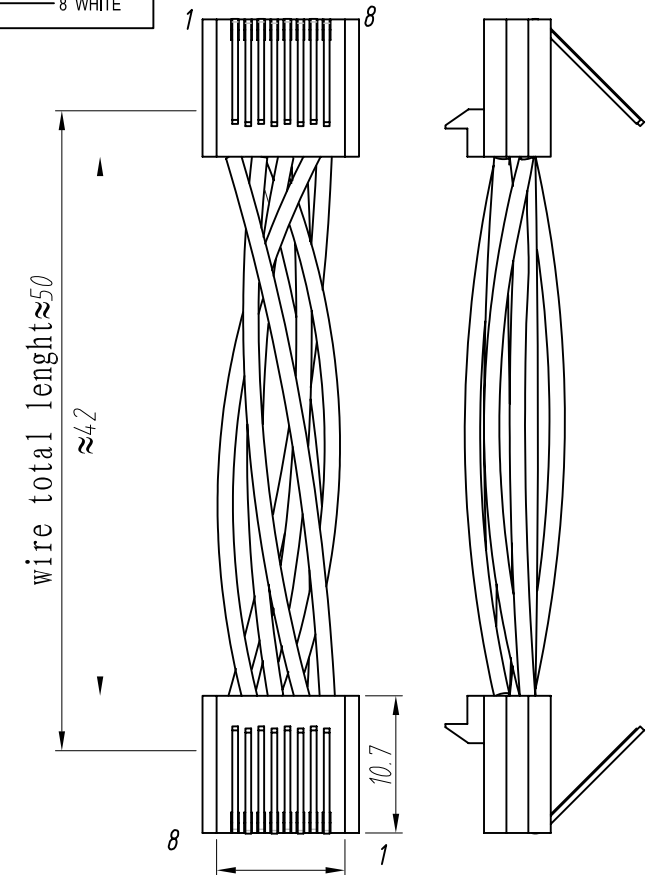
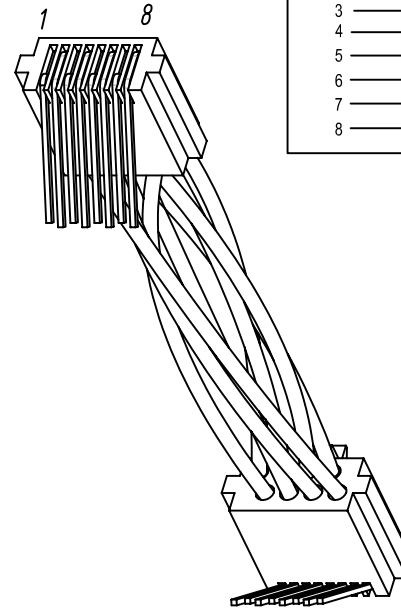


RJ45 MODULAR ADAPTER



WIRING DIAGRAM	
P1	P1
1	1 BLUE
2	2 ORANGE
3	3 BLACK
4	4 RED
5	5 GREEN
6	6 YELLOW
7	7 BROWN
8	8 WHITE



Materials:

RJ-45 Cover: Fireproof PC/ABS UL-94V0 (beige)

RJ-45 Base: Fireproof PC/ABS UL-94V0 (beige)

RJ-45 Jack : PBT 8P8C 6 micro inches gold plated (beige)

Electrical Specifications:

Insulation Resistance: 500M ohms (min.)

Contact Resistance: 15m ohms (max.)

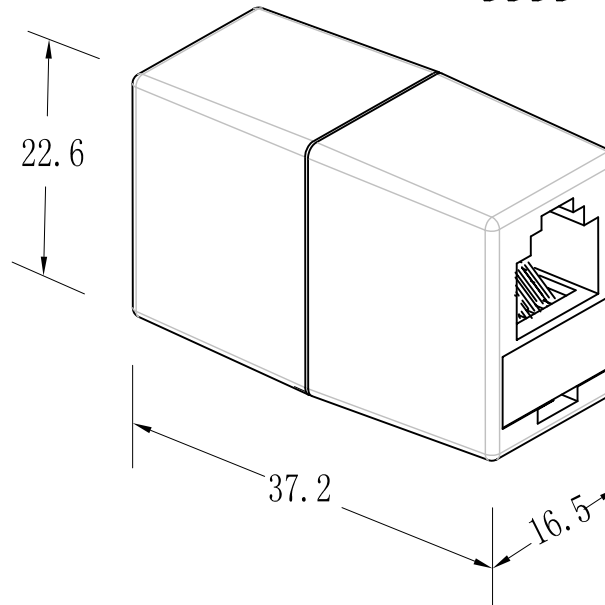
Current Rating : 1.5 Amps.

DC Resistance: 0.1 ohms(max.)

Withstanding Voltage : 1000 VAC RMS @ 60Hz/ 1 min.

Mechanical Specifications:

RJ-45 Jack Insertion Cycle : Over 200 Cycles (min.)



ROHS compliant